

WOOD BURNING STOVE INFORMATION

Owner: _____ Phone _____

Legal Description: Quarter _____ Section _____ Twp. _____ Rge. _____ W4

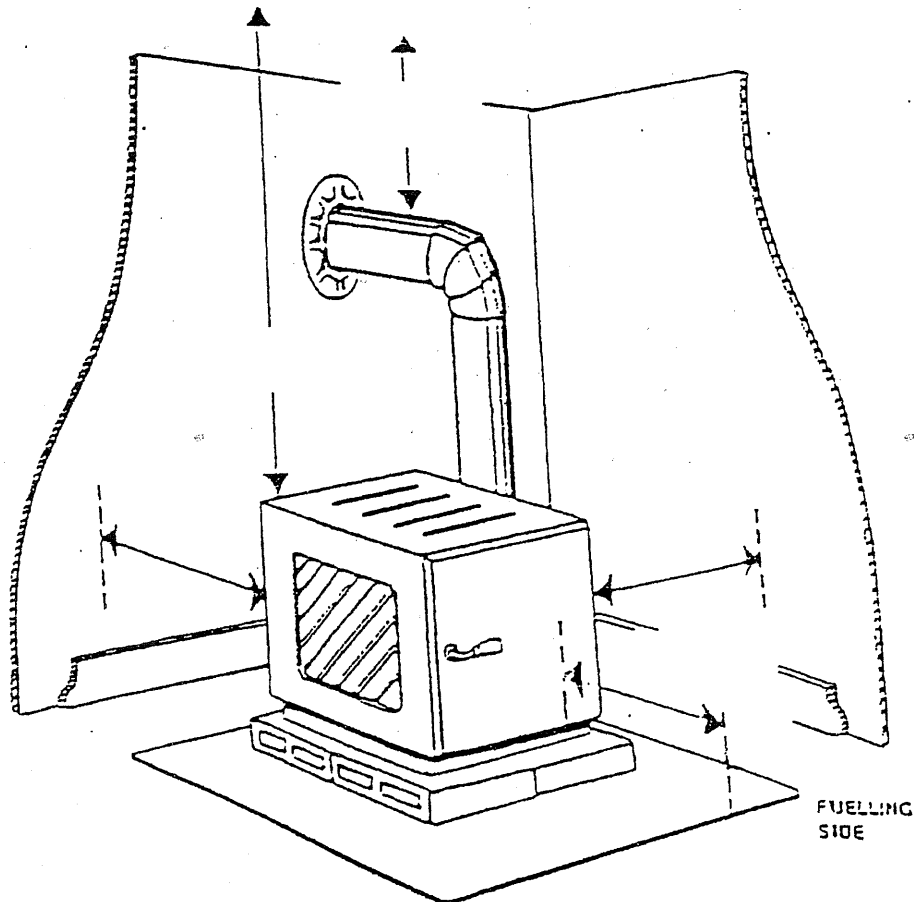
Subdivision / Hamlet Name:

_____ Lot _____ Block _____ Plan _____

Along with a copy of the *Manufacturers Installation Instructions*, on the following diagram of the wood burning unit, include:

- the distance from each wall;
- the distance of the non-combustible floor extends around all sides of the unit;
- flue type and clearance.

What type of flooring is the wood burning unit to be installed on? _____



➤ **FOR INSPECTIONS** please contact the County Office or The Inspections Group Inc.
 Phone: 1-866-554-5048 or 454-5048 Fax: 1-866-454-5222 or 454-5222